

Robin CycFX 4 - DMX protocol

Version 1.0

Mode/Channel				Value	Function	Type of control
1	2	3	4			
1	1	1	1	0-255	Tilt (8 bit) Tilt movement by 270°	proportional
-	2	2	2	0-255	Tilt (16 bit) Fine movement of tilt	proportional
2	3	3	3	0	Tilt speed (time) Standard mode	Step
				1	Max. Speed mode	step
				2-255	Tilt speed Speed from max. to min.	proportional
				2-255	Tilt time Time from 0.2 s to 25.5 s.	proportional
3	4	4	4	0-9	Special functions Reserved <i>To activate following functions , stop in DMX value for at least 3 sec. and shutter must be closed at least 3 sec. (Shutter channel 13/19 must be at range of 0-31 DMX). Corresponding menu items are temporarily overridden except DMX Input.</i>	
				10-14	DMX input: Wired DMX *	step
				15-19	DMX input: Wireless DMX* * function is active only 10 seconds after switching the fixture on	step
				20-29	Reserved	
				30-39	RGBW colour mixing mode	step
				40-49	CMY colour mixing mode	step
				50-59	Tilt speed mode	step
				60-69	Tilt time mode	step
				70-79	Blackout while tilt moving	step
				80-89	Disabled blackout while tilt moving	step
				90-99	Silent zoom On	step
				100-109	Silent zoom Off	step
				110-119	White counting On	step
				120-129	White counting Off	step
				130-139	Reserved <i>To activate following reset function, stop in DMX value for at least 3 sec.</i>	
				140-149	Tilt reset	step
				150-179	Reserved	
				180-189	Zoom reset	step
				190-199	Reserved	
200-209	Total reset	step				
210-255	Reserved					
4	5	5	5	0-255	Red (Cyan) coarse - all pixels Red LEDs saturation control (0-100%)	proportional
-	6	6	6	0-255	Red (Cyan) fine - all pixels Red LEDs saturation fine control min.—>max.	proportional

5	7	7	7	0-255	Green (Magenta) coarse - all pixels Green LEDs saturation control (0-100%)	proportional
-	8	8	8	0-255	Green (Magenta) fine - all pixels Green LEDs saturation fine control min.—>max.	proportional
6	9	9	9	0-255	Blue (Yellow) coarse - all pixels Blue LEDs saturation control (0-100%)	proportional
-	10	10	10	0-255	Blue (Yellow) fine - all pixels Blue LEDs saturation fine control min.—>max.	proportional
7	11	11	11	0-255	White coarse (RGBW mode only) - all pixels White LEDs saturation control (0-100%)	proportional
-	12	12	12	0-255	White fine (RGBW mode only) - all pixels White LEDs saturation fine control min.—>max.	proportional
8	13	13	13	0 1-255	<u>CTO (All pixels)</u> No function Colour temperature correction	step proportional
9	14	14	14	0 1-2 3 4-5 6 7-9 10-12 13-15 16 17-55 56 57 - 95 96 97 – 134 135 136 - 174 175 176 -214 215 216 - 246 247 248-251 252-255	<u>Virtual colour wheel (All pixels)</u> No function White 2700 K White 2700 K (tungsten emulation)** White 3200 K White 3200 K (tungsten emulation)** White 4200 K White 5600 K White 8000 K Blue (Blue=full, Red+Green+White=0) Red=0, Green→up,Blue =full, White=0 Light Blue (Red=0, Green=full, Blue =full, white=0) Red=0, Green=full, Blue→down, White=0 Green (Red=0, Green=full, Blue =0, White=0) Red→up, Green=full, Blue=0, White=0 Yellow (Red=full, Green=full, Blue=0,White=0) Red=full, Green→down, Blue=0, White=0 Red (Red=full, Green=0, Blue=0, White=0) Red=full, Green=0, Blue→up, White=0 Magenta (Red=full, Green=0, Blue=full, White=0) Red→down, Green=0, Blue=full, White=0 Blue (Red=0, Green=0, Blue=full, White=0) Rainbow effect(with fade time) from min.->max. speed Rainbow effect(without fade time)from min.->max.speed	step step step step step step step step step proportional step proportional step proportional step proportional step proportional step proportional step proportional proportional
10	15	15	15	0-2 3-4 5-6 : 181-182 183-255	Pixel effects (see table below) No function Effect 1 Effect 2 : Effect 90 Reserved	step step : step

Robin CycFX 4

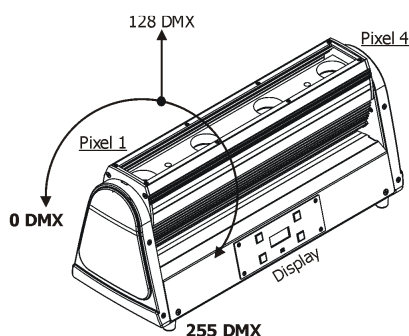
11	16	16	16	0-63 64-127 128-191 192-255	Pixel effects speed Speed from min. —>max. without fade time Speed from max. —>min. without fade time (op. direction) Speed from min. —>max. with fade time Speed from max. —>min. with fade time (op. direction)	proportional proportional proportional proportional
12	17	17	17	0-255	Zoom coarse Zoom from min. to max. beam angle	proportional
-	18	18	18	0-255	Zoom fine Fine zooming from min.—>max.	proportional
13	19	19	19	0-31 32-63 64-95 96-127 128-143 144-159 160-191 192-223 224-255	<u>Shutter/ Strobe (All pixels)</u> Shutter closed Shutter open Strobe-effect from slow to fast Shutter open Opening pulses in sequences slow--> fast Closing pulses in sequences fast --> slow Shutter open Random strobe-effects from slow to fast Shutter open	step step proportional step proportional proportional step proportional step
14	20	20	20	0 - 255	<u>Dimmer coarse (All pixels)</u> Dimmer intensity from 0% to 100%	proportional
-	21	21	21	0 - 255	<u>Dimmer fine (All pixels)</u> Dimmer intensity from min.—>max.	proportional
-	-	22	22	0-255	Red pixel 1 Red LED saturation control (0-100%)	proportional
-	-	23	23	0-255	Green pixel 1 Green LED saturation control (0-100%)	proportional
-	-	24	24	0-255	Blue pixel 1 Blue LED saturation control (0-100%)	proportional
-	-	-	25	0-255	Dimmer 1 Dimmer intensity from 0% to 100%	proportional
-	-	25	26	0-255	Red pixel 2 Red LED saturation control (0-100%)	proportional
-	-	26	27	0-255	Green pixel 2 Green LED saturation control (0-100%)	proportional
-	-	27	28	0-255	Blue pixel 2 Blue LED saturation control (0-100%)	proportional
-	-	-	29	0-255	Dimmer 2 Dimmer intensity from 0% to 100%	proportional
-	-	28	30	0-255	Red pixel 3 Red LED saturation control (0-100%)	proportional
-	-	29	31	0-255	Green pixel 3 Green LED saturation control (0-100%)	proportional

Robin CycFX 4

-	-	30	32	0-255	Blue pixel 3 Blue LED saturation control (0-100%)	proportional
-	-	-	33	0-255	Dimmer 3 Dimmer intensity from 0% to 100%	proportional
-	-	31	34	0-255	Red pixel 4 Red LED saturation control (0-100%)	proportional
-	-	32	35	0-255	Green pixel 4 Green LED saturation control (0-100%)	proportional
-	-	33	36	0-255	Blue pixel 4 Blue LED saturation control (0-100%)	proportional
-	-	-	37	0-255	Dimmer 4 Dimmer intensity from 0% to 100%	proportional

**Halogen lamp effect during dimming

Tilt movement direction and pixel order:



Channel Pixel effects

DMX value	Effect	Type of Control
0-2	No function	Step
3-4	Effect 1	Step
5-6	Effect 2	Step
7-8	Effect 3	Step
9-10	Effect 4	Step
11-12	Effect 5	Step
13-14	Effect 6	Step
15-16	Effect 7	Step
17-18	Effect 8	Step
19-20	Effect 9	Step
21-22	Effect 10	Step
23-24	Effect 11	Step
25-26	Effect 12	Step
27-28	Effect 13	Step
29-30	Effect 14	Step
31-32	Effect 15	Step
33-34	Effect 16	Step
35-36	Effect 17	Step
37-38	Effect 18	Step
39-40	Effect 19	Step

Robin CycFX 4

41-42	Effect 20	Step
43-44	Effect 21	Step
45-46	Effect 22	Step
47-48	Effect 23	Step
49-50	Effect 24	Step
51-52	Effect 25	Step
53-54	Effect 26	Step
55-56	Effect 27	Step
57-58	Effect 28	Step
59-60	Effect 29	Step
61-62	Effect 30	Step
63-64	Effect 31	Step
65-66	Effect 32	Step
67-68	Effect 33	Step
69-70	Effect 34	Step
71-72	Effect 35	Step
73-74	Effect 36	Step
75-76	Effect 37	Step
77-78	Effect 38	Step
79-80	Effect 39	Step
81-82	Effect 40	Step
83-84	Effect 41	Step
85-86	Effect 42	Step
87-88	Effect 43	Step
89-90	Effect 44	Step
91-92	Effect 45	Step
93-94	Effect 46	Step
95-96	Effect 47	Step
97-98	Effect 48	Step
99-100	Effect 49	Step
101-102	Effect 50	Step
103-104	Effect 51	Step
105-106	Effect 52	Step
107-108	Effect 53	Step
109-110	Effect 54	Step
111-112	Effect 55	Step
113-114	Effect 56	Step
115-116	Effect 57	Step
117-118	Effect 58	Step
119-120	Effect 59	Step
121-122	Effect 60	Step
123-124	Effect 61	Step
125-126	Effect 62	Step
127-128	Effect 63	Step
129-130	Effect 64	Step
131-132	Effect 65	Step
133-134	Effect 66	Step
135-136	Effect 67	Step
137-138	Effect 68	Step
139-140	Effect 69	Step
141-142	Effect 70	Step
143-144	Effect 71	Step

Robin CycFX 4

145-146	Effect 72	Step
147-148	Effect 73	Step
149-150	Effect 74	Step
151-152	Effect 75	Step
153-154	Effect 76	Step
155-156	Effect 77	Step
157-158	Effect 78	Step
159-160	Effect 79	Step
161-162	Effect 80	Step
163-164	Effect 81	Step
165-166	Effect 82	Step
167-168	Effect 83	Step
169-170	Effect 84	Step
171-172	Effect 85	Step
173-174	Effect 86	Step
175-176	Effect 87	Step
177-178	Effect 88	Step
179-180	Effect 89	Step
181-182	Effect 90	Step
183-255	Reserved	